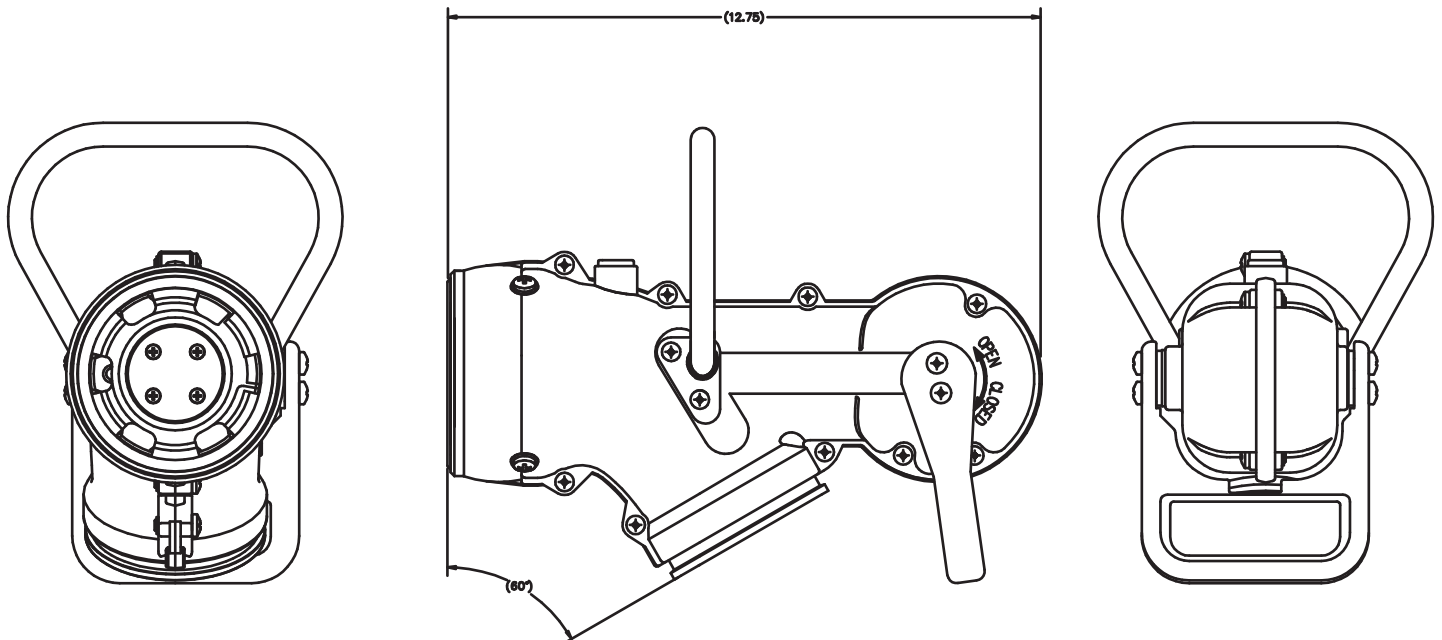


SISTEMA 300 GPM.

PAGINA 1 A LA 17

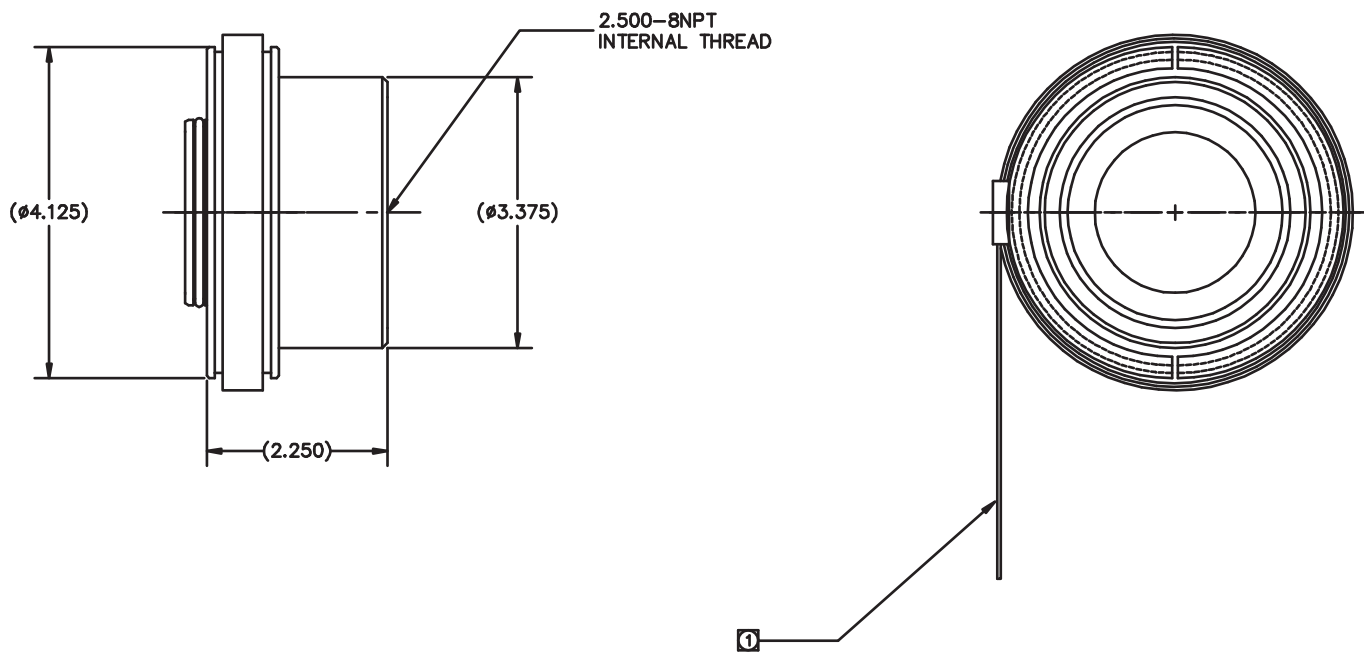
1. VR301
2. VR300-5
3. VR304-100A
4. VR306
5. VR325
6. VR308-1
7. VR308-2
8. VR316
9. VR316-25
10. VR321
11. VR304-18
12. VR301-RK
13. ZV10NFB
14. ZV11NFB
15. ZV13NFB
16. JVXFL
17. JVXL

CALIDAD Y SERVICIO

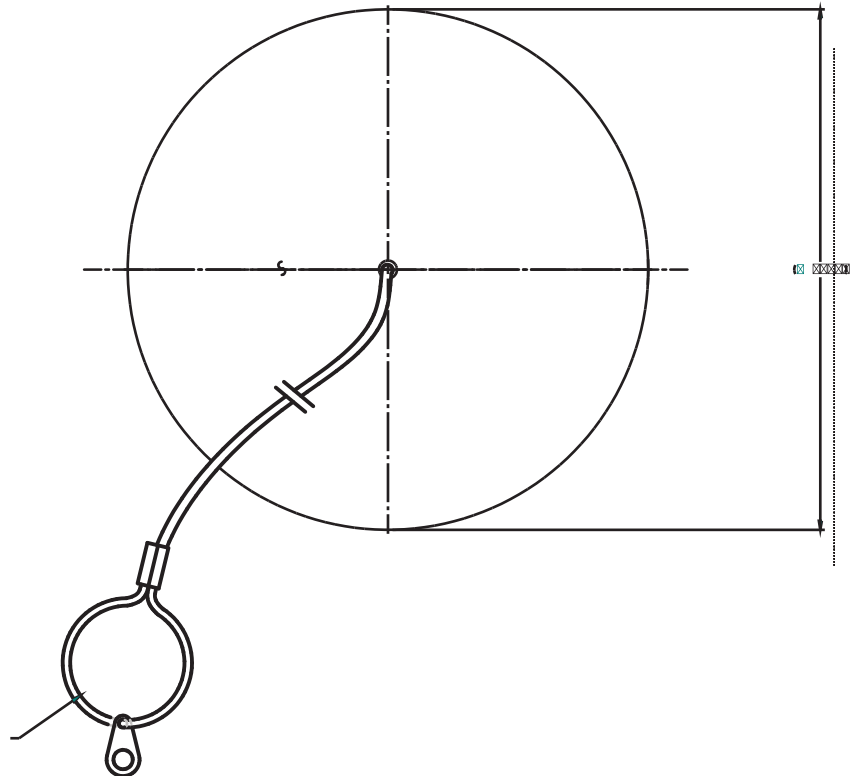
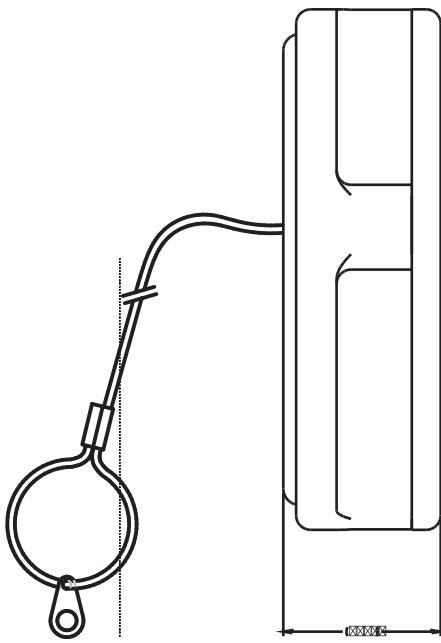


**PISTOLA WIGGINS ALTO FLUJO DE 300GPM,
CORTE AUTOMATICO,
SISTEMA NO PRESURIZADO.**

VR300-5

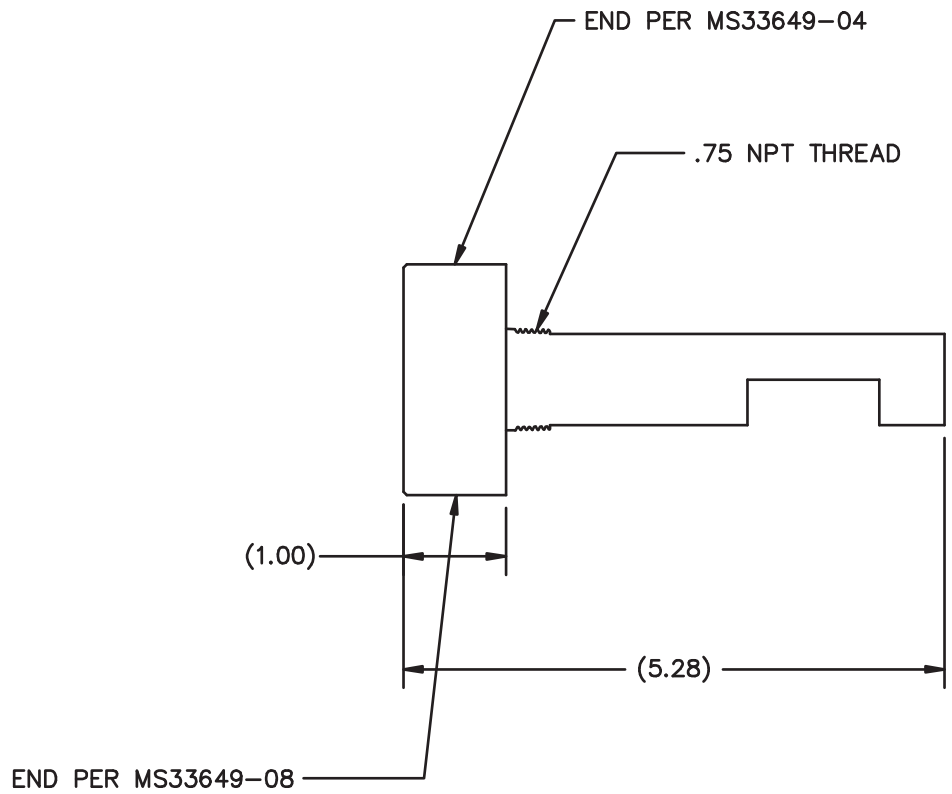
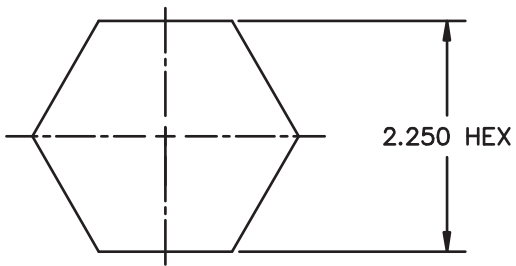


**ADAPTADOR MANGUERA/PISTOLA VR300,
USO OBLIGATORIO.**



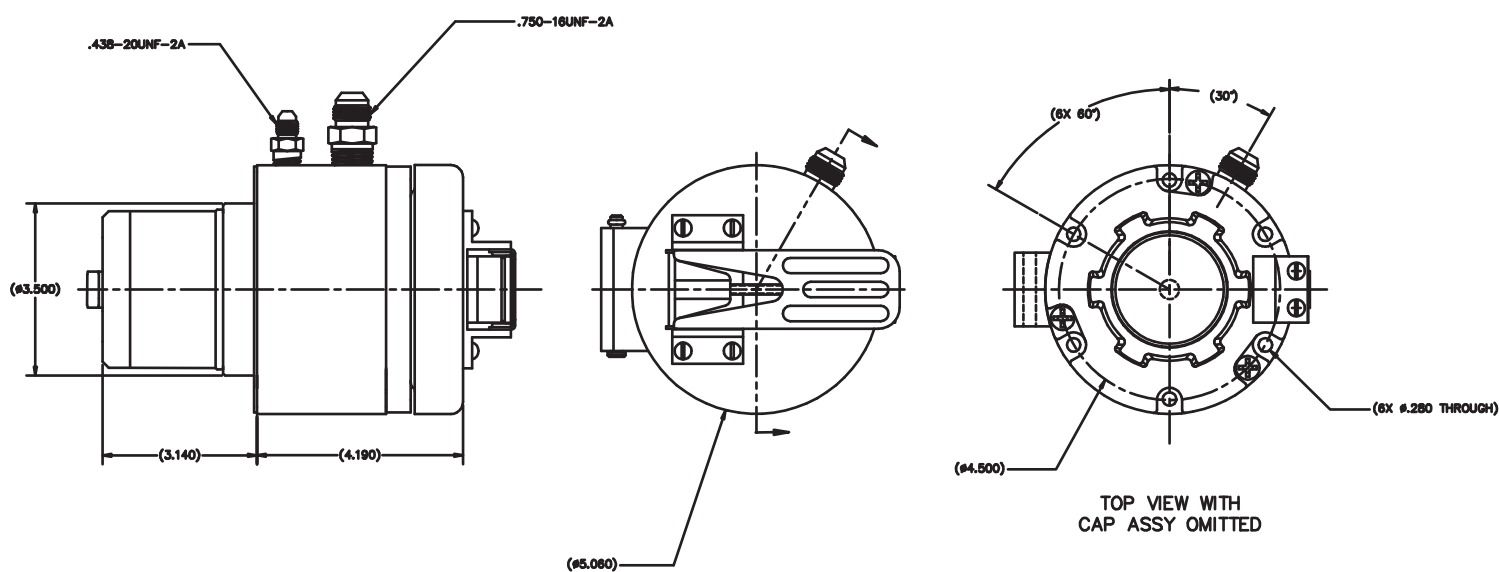
**TAPA PROTECTORA RECEPTOR VR316/VR325
SISTEMA NO PRESURIZADO VR300.**

VR306

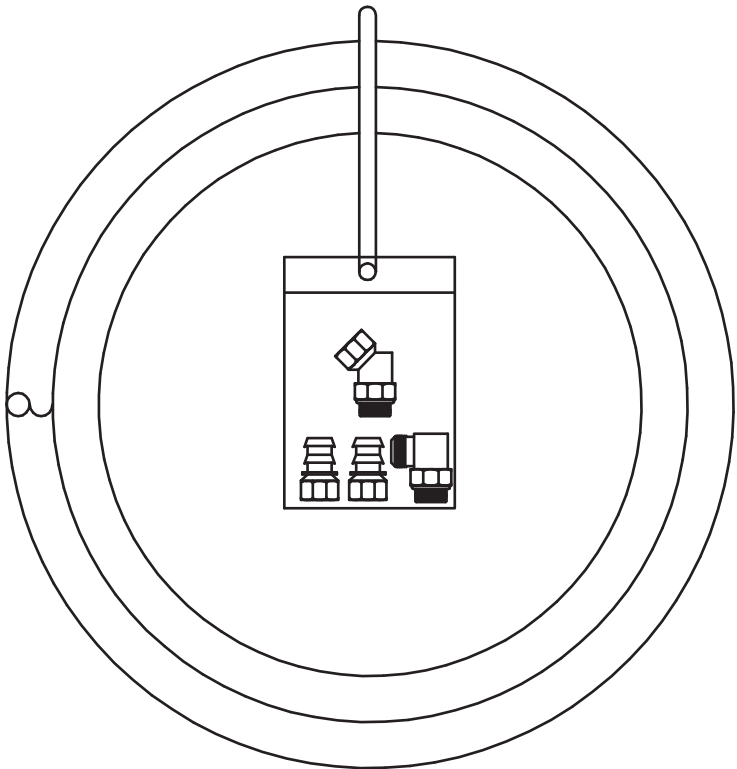


**SENSOR SISTEMA VR300
APLICACIONES ESPECIALES.**

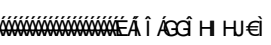


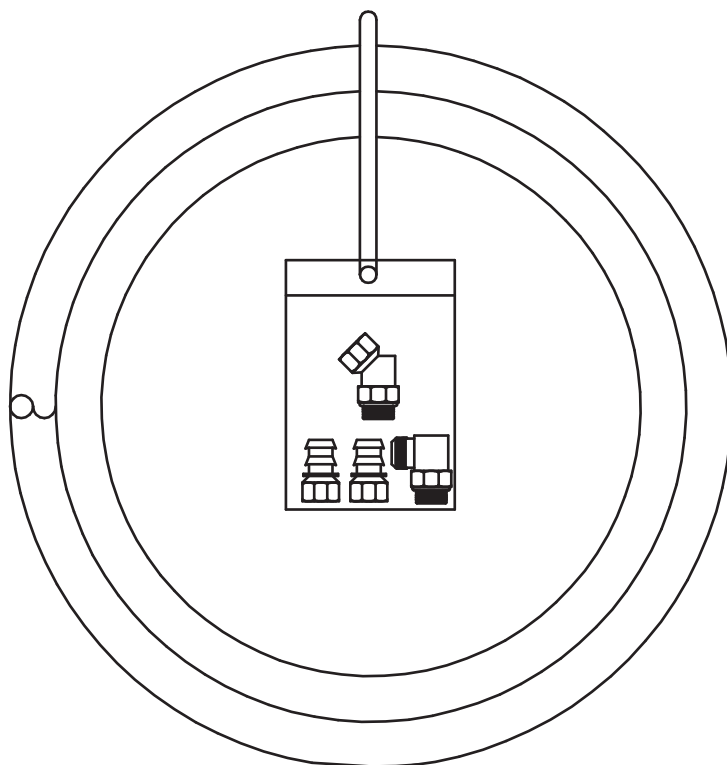


RECEPTOR WIGGINS SISTEMA NO PRESURIZADO 300 GPM MONTAJE DIRECTO (CAT).



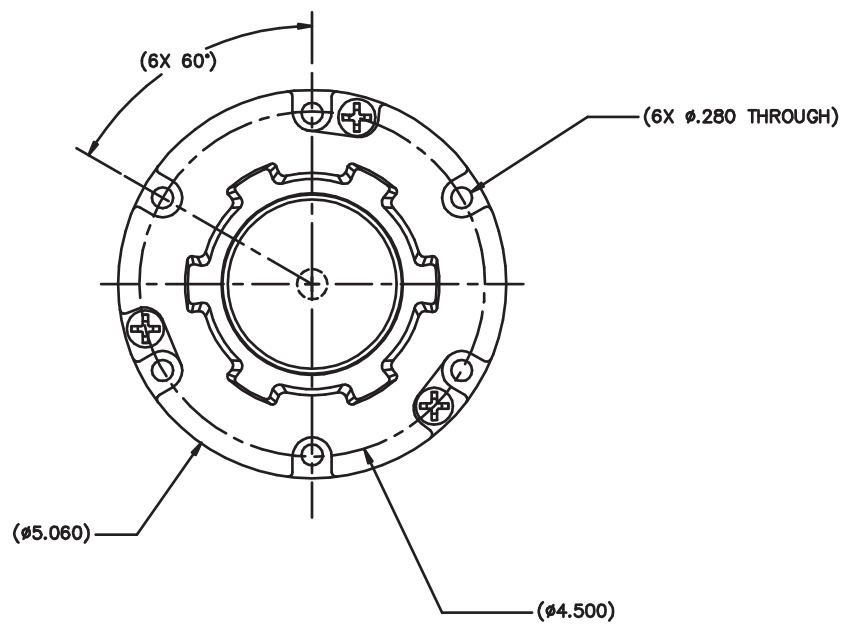
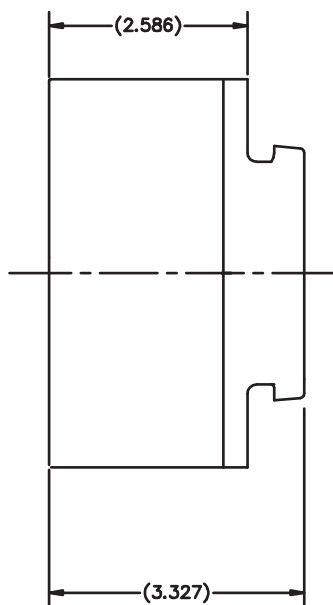
**KIT DE MANGUERA Y FITTINGS
PRIMARIO CONECCION PICK-UP SENSOR/CORTE AUTOMATICO,
SISTEMA VR300.**



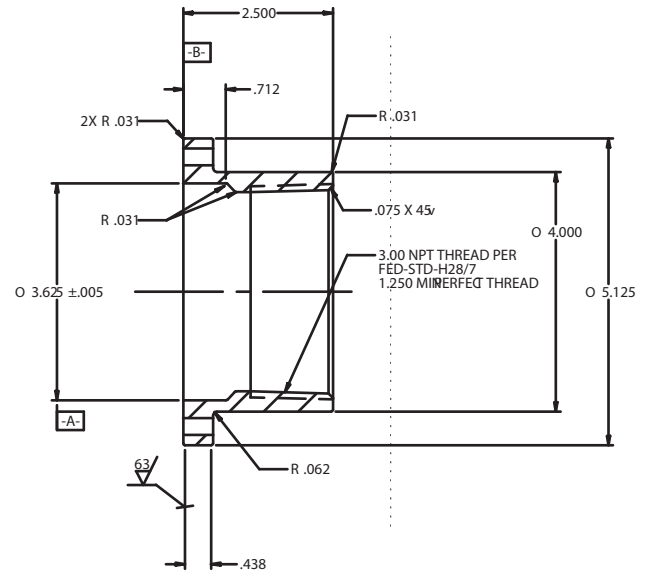
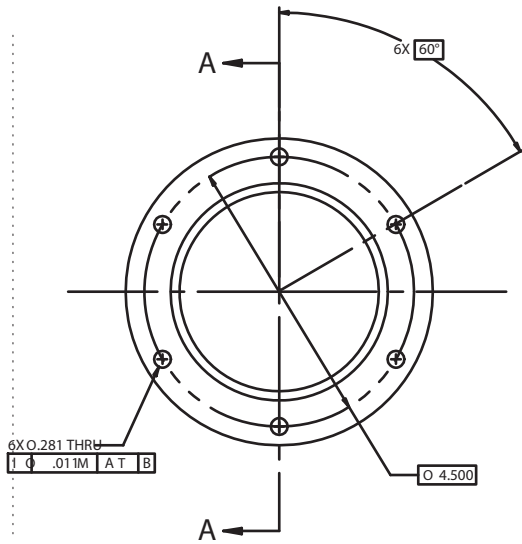


**KIT DE MANGUERA Y FITTING SECUNDARIO CONECCION
RETURN SENSOR/CORTE AUTOMATICO,
SISTEMA VR300.**

VR316



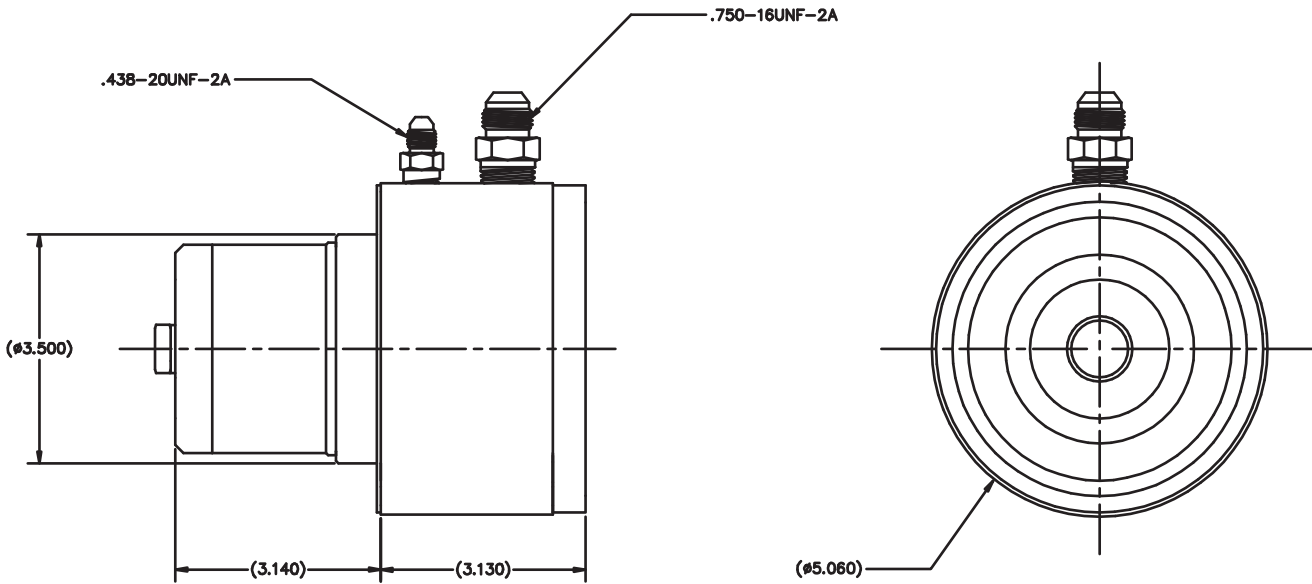
RECEPTOR WIGGINS SISTEMA REMOTO VR300 CON TAPA (KOMATSU).



SECTION A-A

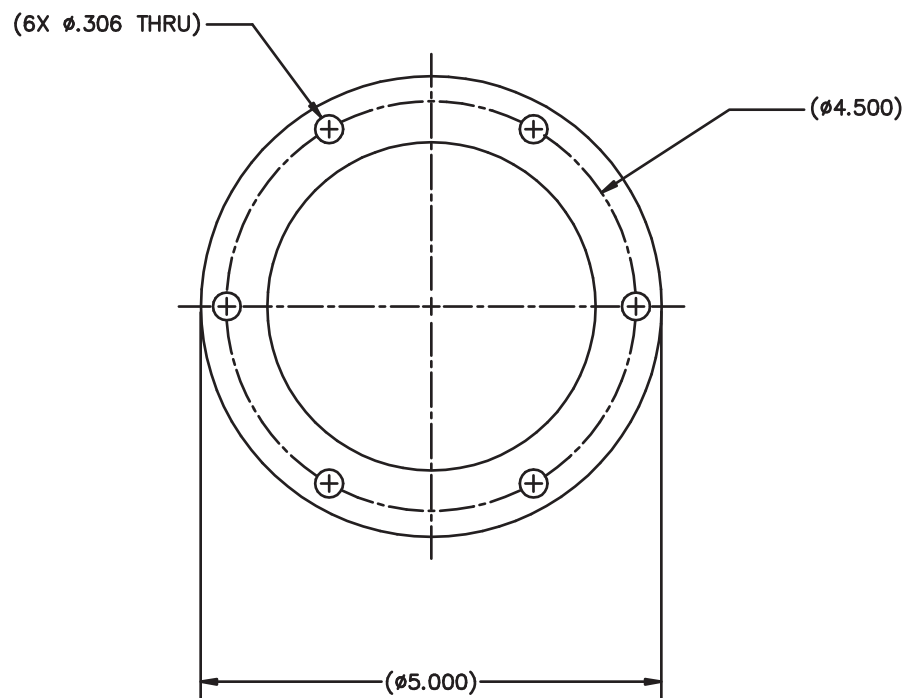
**ADAPTADOR PARA VR316
RECEPTOR (OPCIONAL).**

VR321



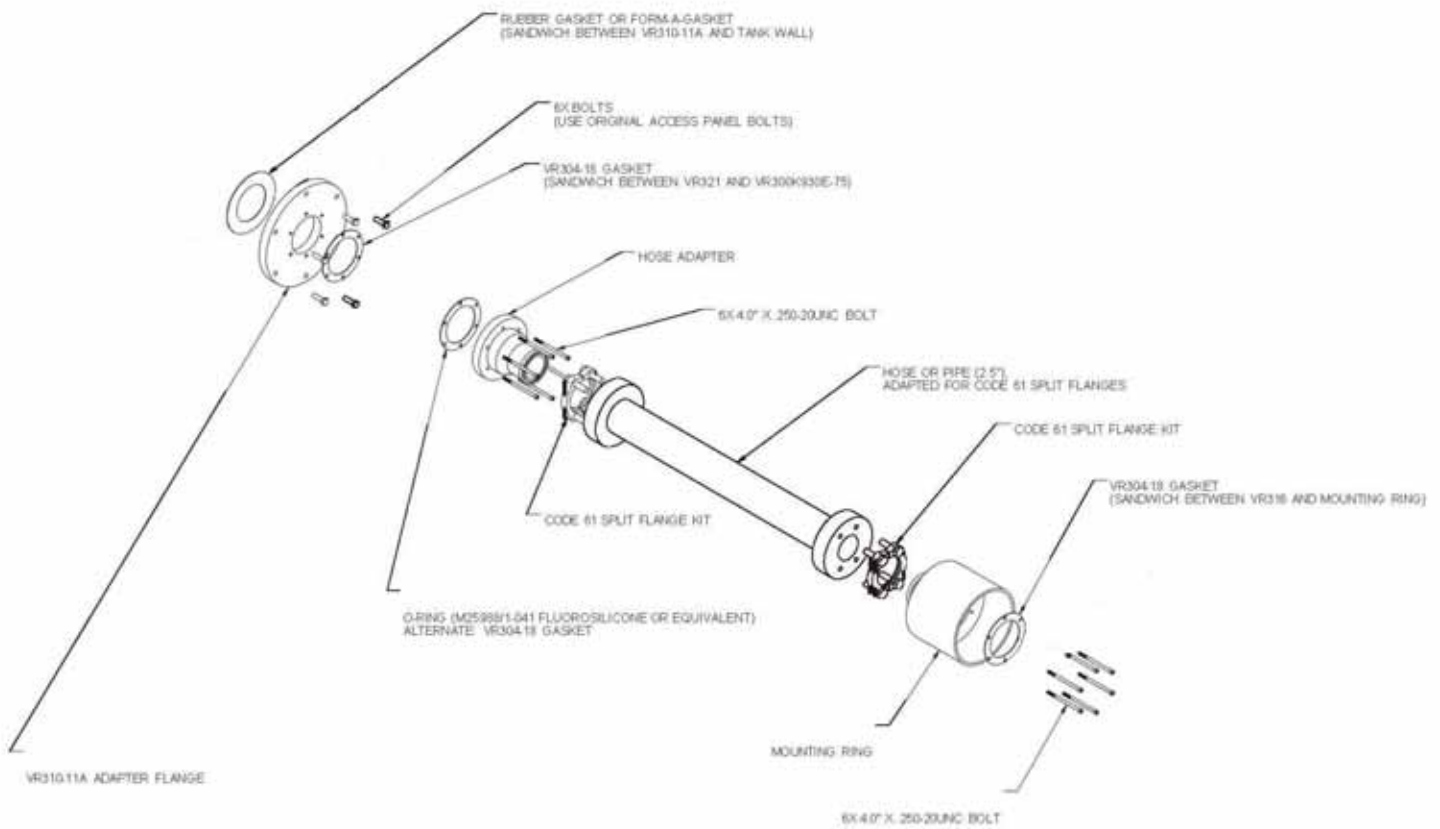
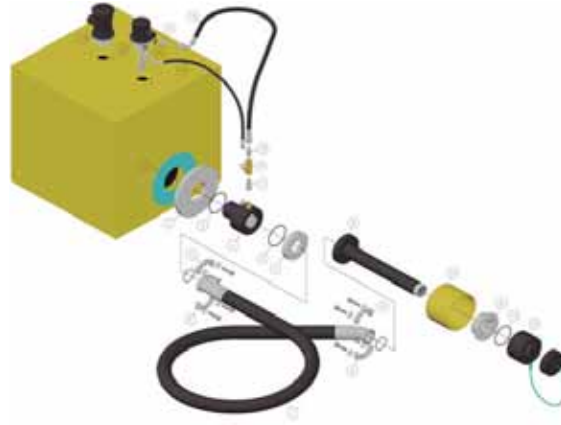
**VALVULA DE CORTE SISTEMA VR300
REMOTO PARA USO CON RECEPTOR VR316 (KOMATSU).**





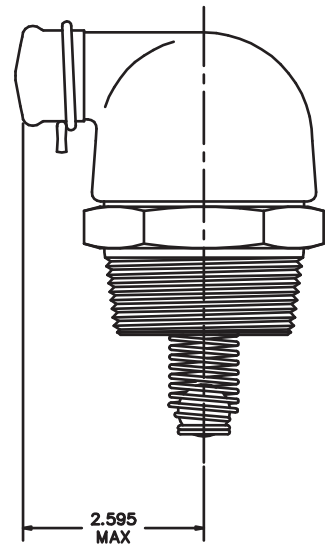
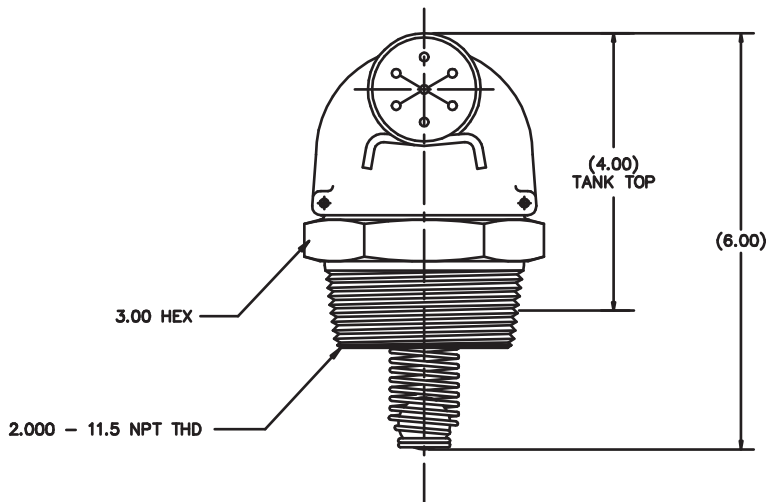
**EMPAQUETADURA PARA MONTAJE
VALVULAS VR325/VR316/VR321.**

VR301-RK



KIT PARA INSTALACION SISTEMA REMOTO VR300 (NO INCLUYE SENSOR) JVXFL/VR316/VR321/VR308-1/VR308-2/VR304-18).

ZV10NFB

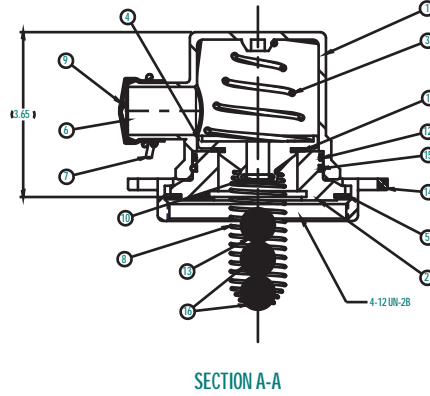
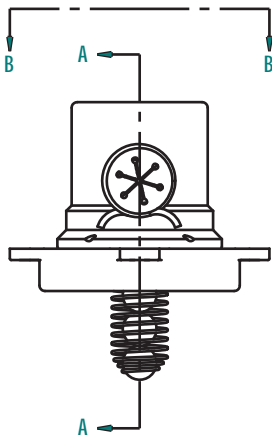


**VENTEO DE ESTANQUE WIGGINS
SISTEMA NO PRESURIZADO 300 GPM.**

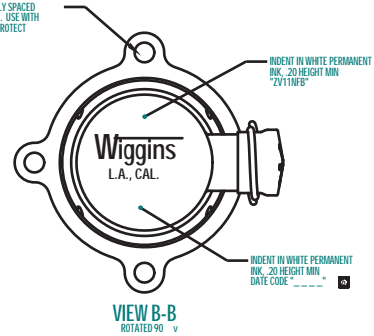
ZV11NFB



CHK	REV	RELEASE	REV	DESCRIPTION	DATE	APPROVED
TR	JC	205-0208	B	1) REDESIGNED AND REDRAWN 2) REVISED AND RENUMBERED NOTES AND LIST OF MATERIALS	04-07-28	FC
TT	JWS	-0186	C	1) FIND NO 6 WAS ZV13-27 2) FIND NO 7 WAS ZV13-48 3) FIND NO 9 WAS ZV13-80 4) ADDED FIND NO 16	05-08-04	FC



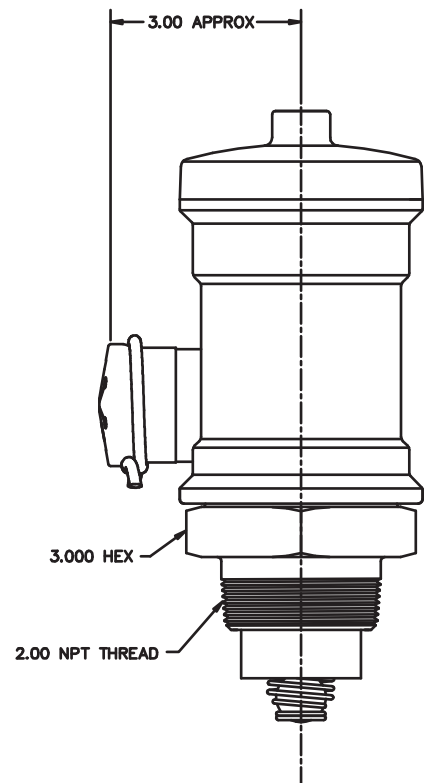
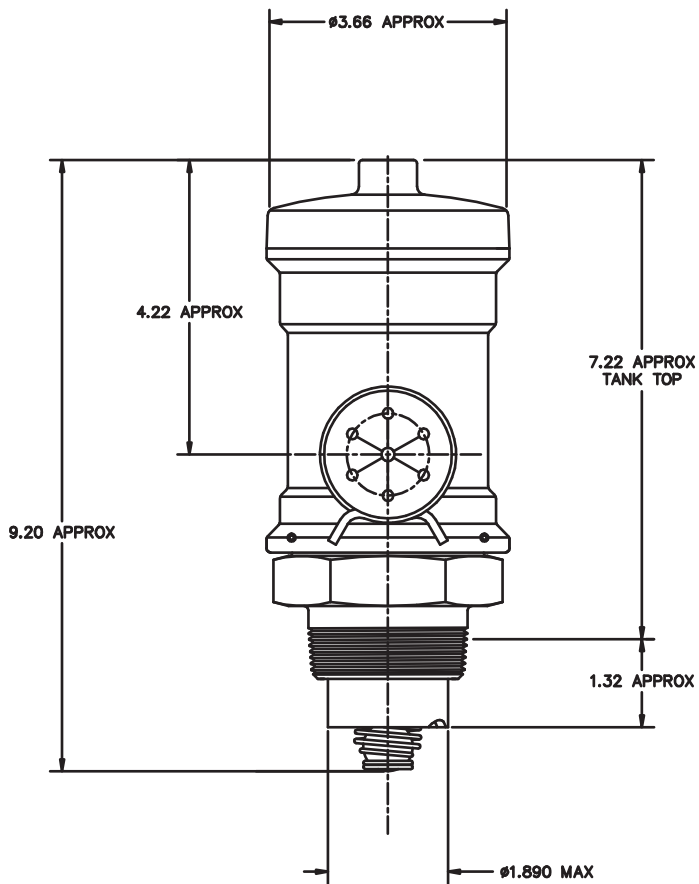
4X 0.375 HOLES EQUALLY SPACED ON 0.4875 BOLT CIRCLE. USE WITH CHAIN AND PADLOCK TO PROTECT AGAINST VANDALISM.



FIND NO.	QTY.	DESCRIPTION	MATERIAL	FINISH	PREP SPEC.
16	2	HW17-23	HOLLOW BALL BRASS	COML	
15	2	HW18-22	ROLL PIN	CRCS	
14	1	ZV6-19	LOCKING RING	356-16 AL ALY	COML
13	1	HW17-22	SOLID BALL	CELCON	COML
12	1	MS28775-147	O-RING	BUNA N	AMS-P-83461
11	1	ZV10-31	SEAL	BUNA N	STM D2000
10	1	M25988/3-112	O-RING	FLUOROSILICONE	AMS-R-25988
9	1	ZV10-80	COVER	NYLON	COML
8	1	ZV3-76	BALL CAGE	302 CRCS	COML
7	1	ZV10-48	CLAMP	STEEL	COML ZINC PLATE
6	1	ZV10-27	SCREEN	BRASS	COML
5	1	ZV6-12A	BODY SEAL	NITRILE	COML
4	1	HP25-13	STEM	PC/PBT ALLOY	VENOY320-BLACK
3	1	ZV6-11	SPRING VALVE	17-7PH CRCS	AMS 5678
2	1	ZV11-15	END	2024-14 AL ALY	COML ANODIZE CLR
1	1	ZV6-1P	BODY	PC/PBT ALLOY	VENOY320-BLACK

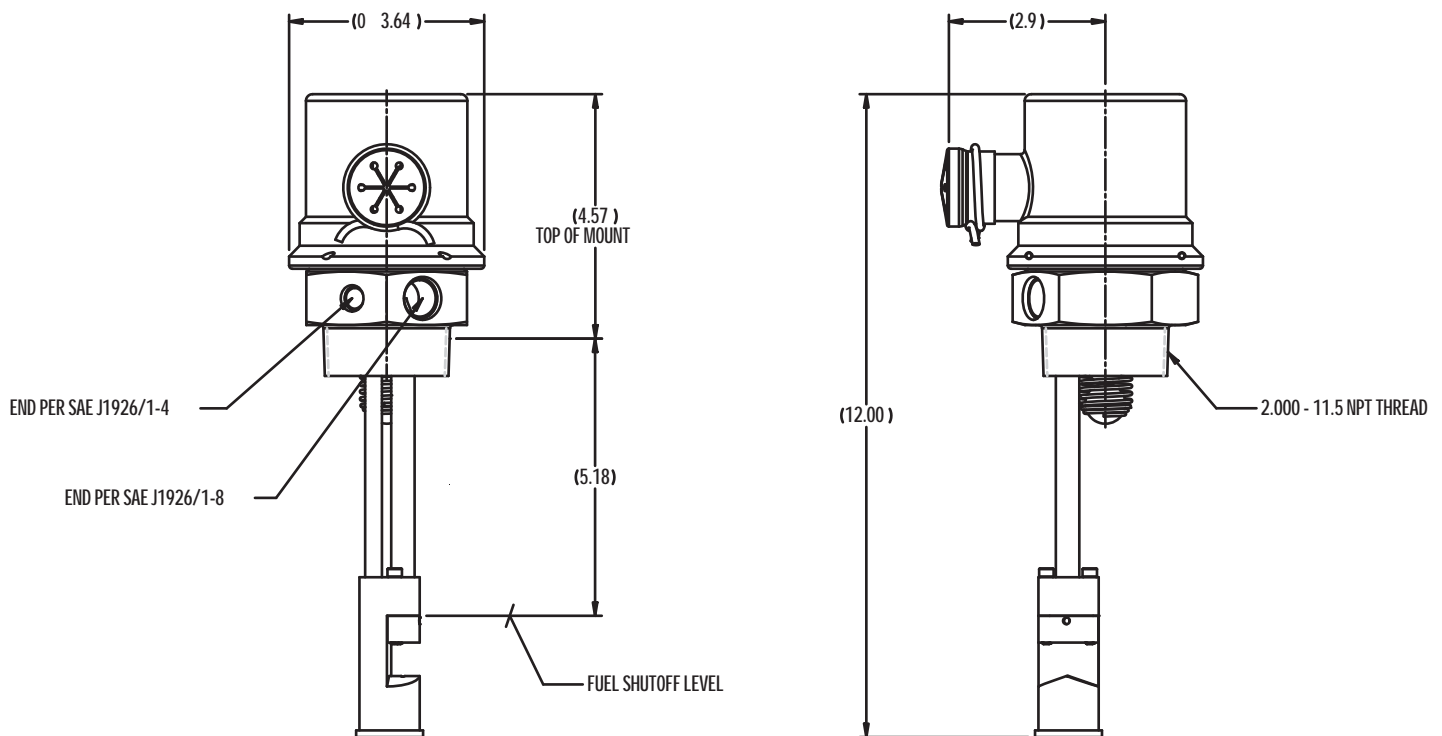
- 4 ALTERNATE MATERIAL: 2024-1351 AL ALY
- 5 DATE CODE COMPRISED OF MONTH/YEAR: EXAMPLE JULY 2004: "7/04"
- 5 FOR REPAIR PARTS KIT SEE DRAWING K30310
- 4 ASSEMBLE, INSPECT, TEST, AND PACKAGE PER THE REQUIREMENTS OF ADEL WIGGINS ITP-218, LATEST REV
- 3 RELIEF PRESSURE: 10.5 PSIG - 11.25 PSIG
- 2 OPERATING TEMPERATURE RANGE: -30°F TO +220°F
- 1 FOR DESIGN RATING PURPOSES ONLY: OPERATING PRESSURE: 60 PSIG

VENTEO DE ESTANQUE WIGGINS SISTEMA NO PRESURIZADO 300GPM APLICACIONES ESPECIALES.



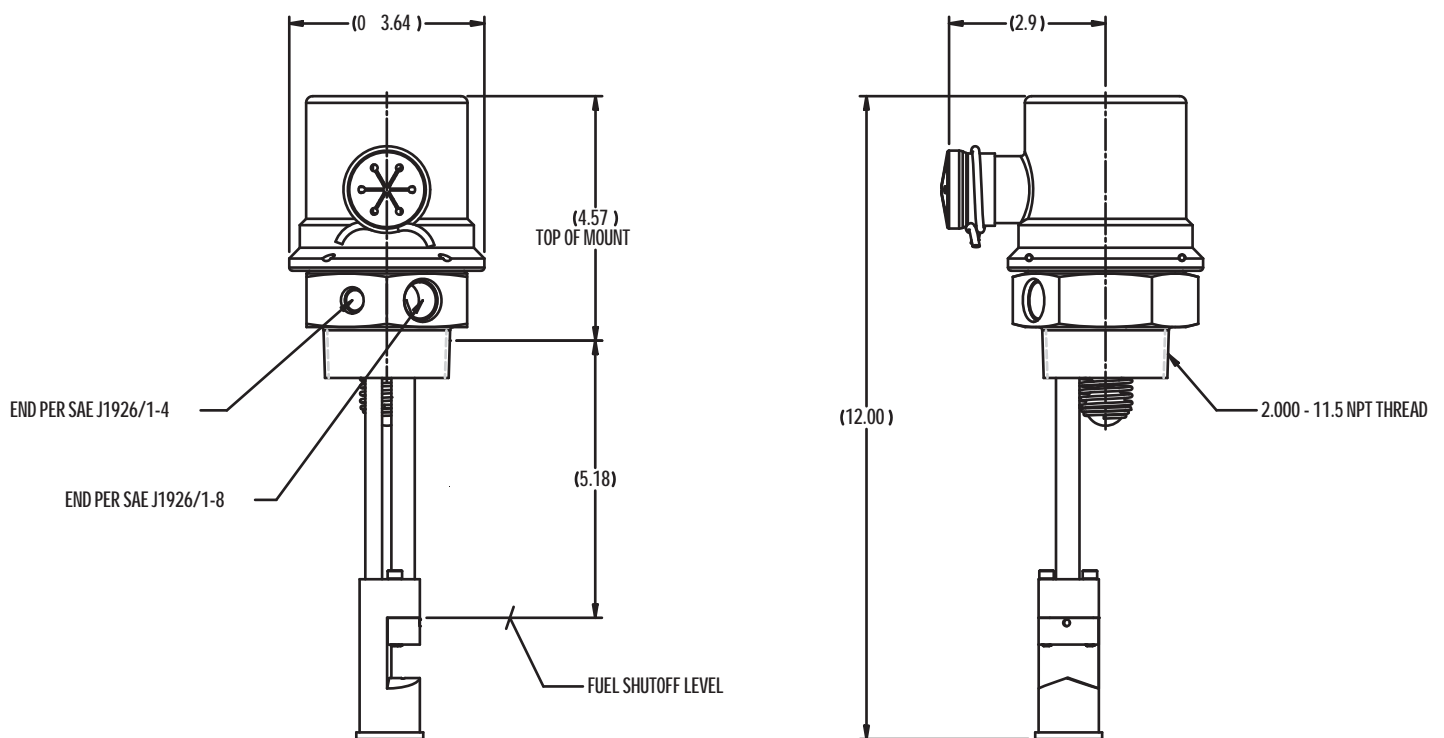
**VENTEO DE ESTANQUE WIGGINS SISTEMA NO PRESURIZADO
300GPM APLICACIONES ESPECIALES.**

JVXFL



WIGGINS PART NUMBER JVXL
ENVELOPE DRAWING

**VENTEO CON JET SENSOR CON FILTRO INCORPORADO USO
STANDARD EN SISTEMA VR300 NO PRESURIZADO.**



WIGGINS PART NUMBER JVXL
ENVELOPE DRAWING

**VENTEO CON JET SENSOR SIN FILTRO
EN SISTEMA VR300 NO PRESURIZADO.**

